

# SURGE PROTECTOR

# EPCULX



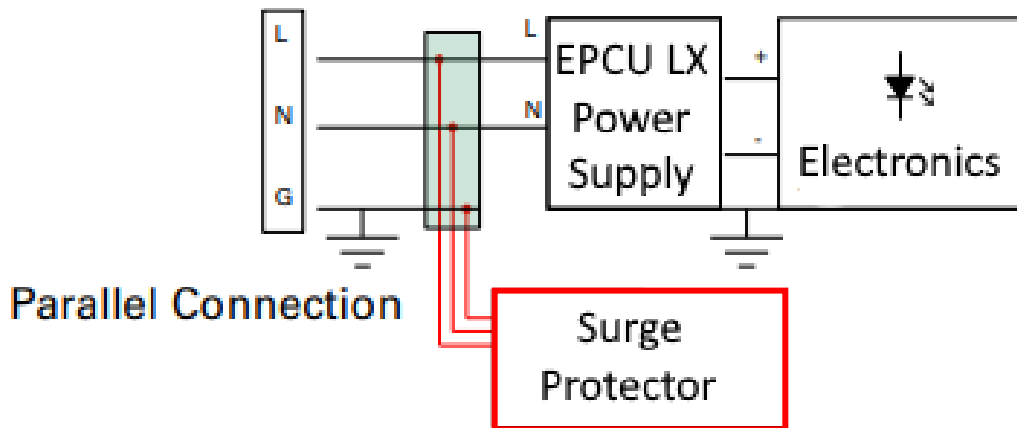
ATTENTION!

- Sign must be powered off before attempting the following procedures.
- There must be one surge protector installed for every one dedicated circuit connected to the sign.

The following instructions are for installing a Littlefuse LSP05GI240P surge protector in an EPCU LX sign.



- When connecting power to the EPCU LX system, splice in the surge protector in parallel as shown in the diagram below:



- Once the connections are made inside the junction box located inside the sign, mount the surge protector to the interior of the sign, and close the junction box.
- After closing the junction box, test the connections by powering on the sign and ensuring the sign has power, and the green light on the surge protector is lit. This means it is functioning.

