

# NEW SIGN QUICK GUIDE



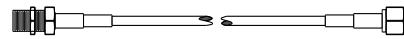
The following instructions are for installing a new EPCU LX unit.

## Installation:

- The side of the sign with the master EPCU LX frame must be installed facing the store for best handheld remote reception.
- If a PricePad was provided with the new sign, the antenna will need to be installed vertically on the exterior of the sign.
  - **Note:** If no PricePad was provided, skip to **Power and Activation**.



Antenna

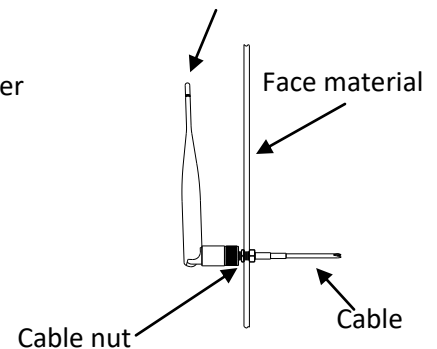


Antenna Cable

- Gain access to the interior of the sign cabinet. **Beware of cabling connecting opposite faces together.**
  - **Note:** If applicable, removing the face opposite to the side that the master EPCU LX unit is mounted to is recommended for ease of access to the controller board inside (if the sign is double-faced).
  - **Note:** The antenna and cable will be pre-attached to the controller board.

- Detach the antenna and antenna cable from the EPCU LX cabinet by cutting the zip-tie holding it in place, then run the provided antenna cable from the controller to the exterior of the sign, facing the store for best reception.
  - Recommended location for the antenna is within the black border surrounding the visual opening on the face, to the left or right of the digits.
- Drill a ¼" hole for the end of the cable to protrude from.
  - Use the provided nut on the end of the cable to fix the cable to the exterior of the sign.
  - **Note:** Maximum material thickness: 0.160"
- Screw the antenna onto the end of the cable completely, making sure to install the antenna vertically as shown.

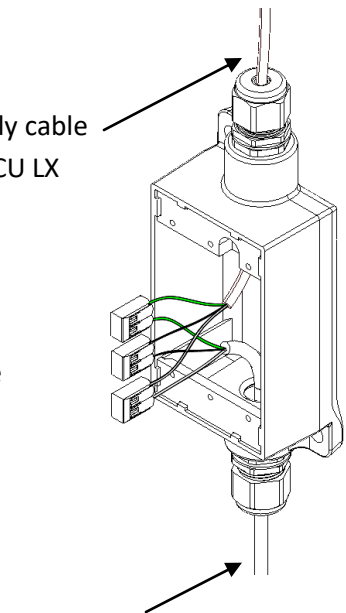
Antenna installed vertically



## Power and Activation:

- Connect AC power to the EPCU LX system by trimming the end of the AC supply cable, stripping the wire, and using circuit connection hardware to make the AC connection inside the junction box located inside the sign.
- Close the sign cabinet and power on the sign. If a PricePad was provided, ensure that it is bound at this time. If the PricePad is not bound, use the procedure on page 2 to bind the sign to it.
- Once the PricePad is bound (if applicable), the sign will have to be activated before displaying prices.
  - Follow the procedure outlined in the **Activation** Guide to activate the sign.

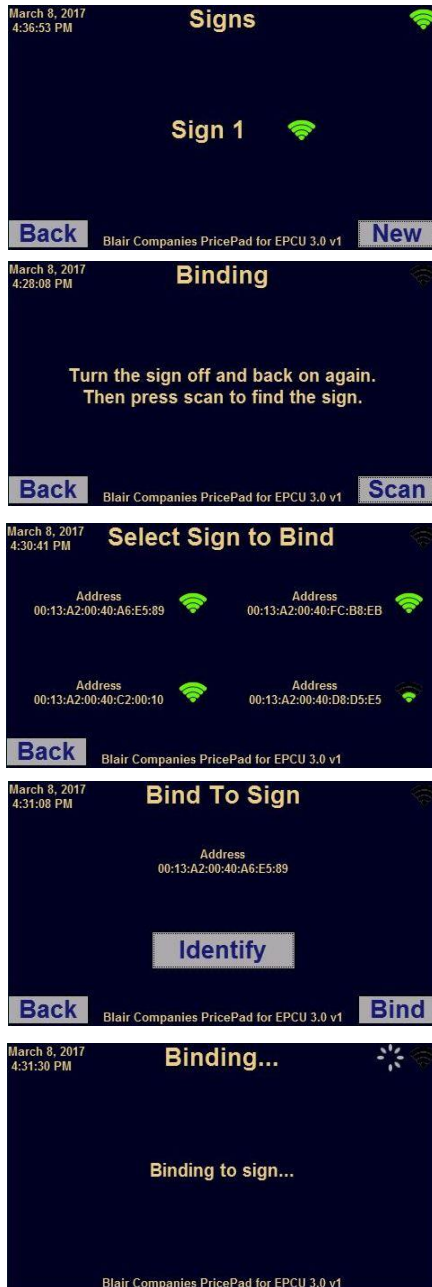
AC supply cable to EPCU LX




AC supply to sign

## PricePad Binding (if applicable):

The PricePad unit must be bound to the sign to function properly. Follow the procedure below to bind the sign to the PricePad.



- Navigate to the **Signs Menu** by pressing the **Settings** Icon  in the upper right corner, **Advanced**, then **Signs**.
- Press the “New” button.
- Follow the on-screen prompt and power cycle the sign. Then press the “Scan” button.
- Wait for scanning to complete. This may take up to a minute.
- Tap the address of a sign that is ready to bind.
- If there are multiple signs ready to be bound like in the image to the left, pick one by tapping it. Then press “Identify”. This will cause the sign to blink slowly.
- If the correct sign is selected press “Bind”, if not press “Back” and try another sign.
- Wait for Binding to complete.
- Press “Back” on the Binding Complete screen.
- If trying to bind multiple signs, they can be bound at this time.