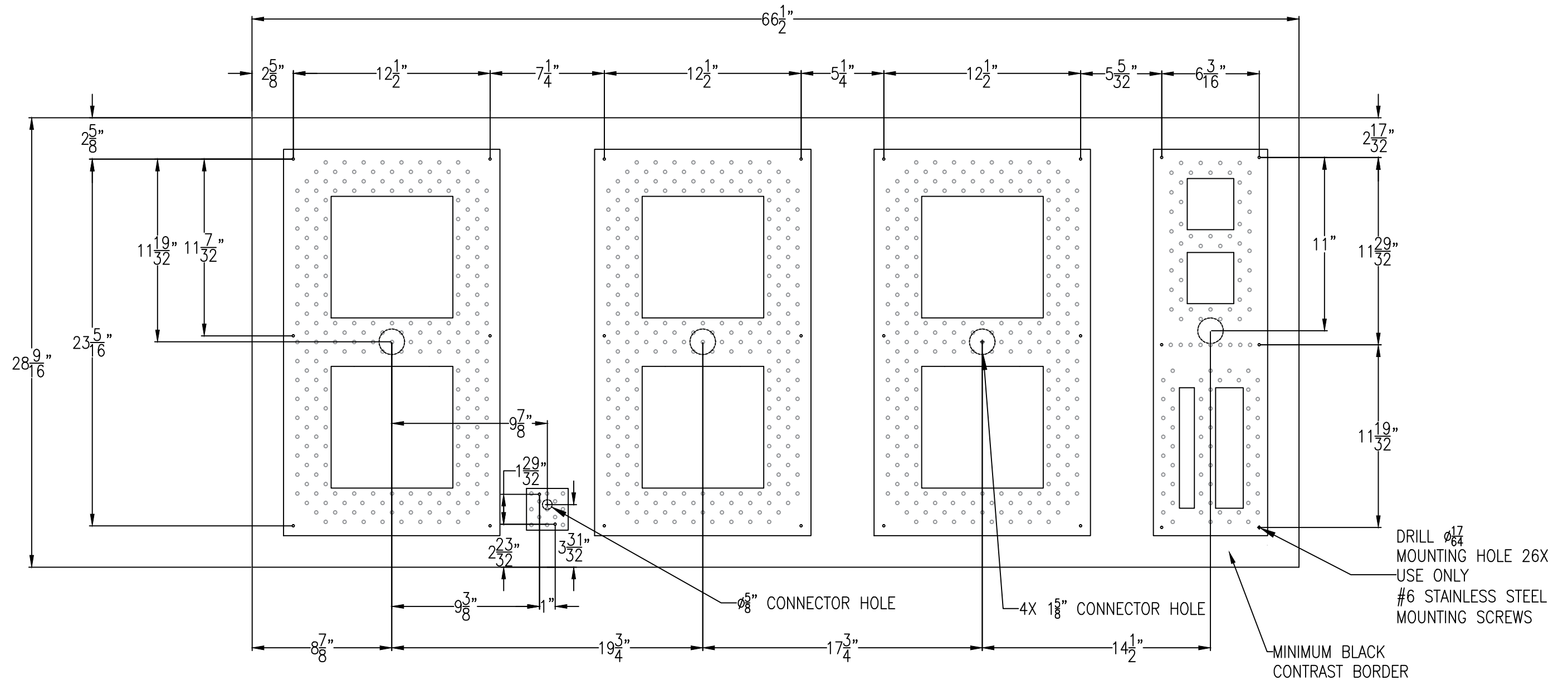


This original design is the sole property of the Blair Companies, it cannot be reproduced, copied, or exhibited, in whole or part, without first obtaining written consent from the Blair Companies.

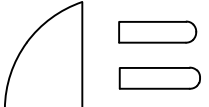
WARNING: DIGIT MOUNTING SCREWS SHOULD BE HAND TIGHTENED. OVER TIGHTENING DIGIT MOUNTING SCREWS COULD RESULT IN DAMAGE VOIDING WARRANTY.

WARNING: ENLARGING MOUNTING HOLES OR MODIFYING THE DIGITS IN ANY WAY COULD RESULT IN DAMAGE VOIDING WARRANTY.



RECOMMENDED SPACING FOR 24" EPCU 3.0 DIGITS WITH DECIMAL AND 9/10  
FOR OPTIMUM VIEWING INCREASE CONTRAST BORDER FROM 2" TO 3" AROUND EDGES OF DIGITS

PART#:  
LED00580

				CUT DISK: No	PRE-CUT RWY: No	TITLE: <b>24" EPCU 3.0</b>		SIZE	CHG.	 <b>BLAIR COMPANIES</b> ARCHITECTURAL IMAGING SIGNS • FIXTURES • LIGHTING	5107 KISSELL AVENUE ALTOONA, PA 16601 (814) 949-8287 FAX (814) 949-8293 E-MAIL: cad@blaircompanies.com
				PATTERN #: N/A	LOCATION:	Mounting Template with Decimal		B	N/C		
				DRAWN BY: JWF	APPROVED:	M NUMBER:		DWG. NO.			
CHG.	DATE	DWN.	CH'KD.	ART FILES:	SCALE: N/A						
REVISIONS				SHEET: 1 OF 1	DATE: 2/9/2016						