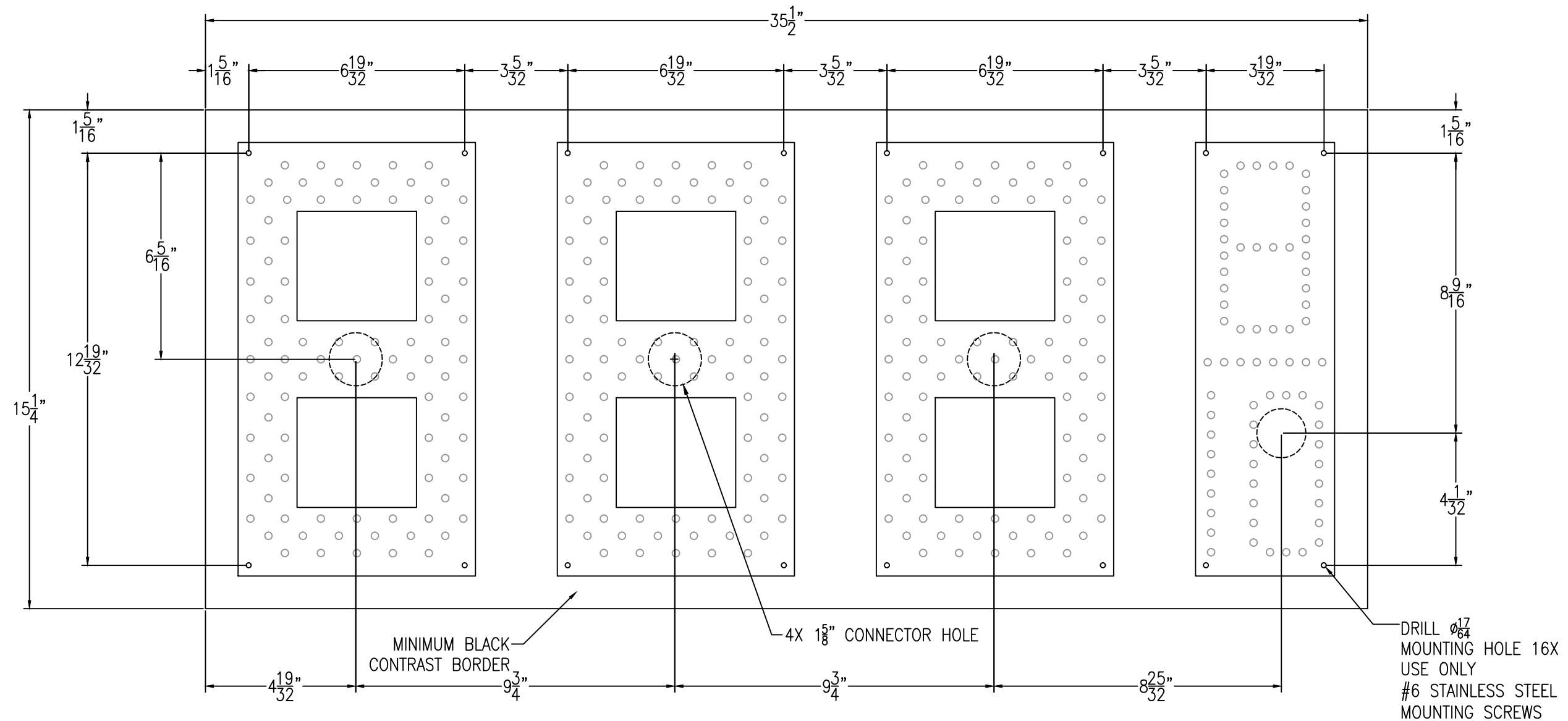


This original design is the sole property of the Blair Companies, it cannot be reproduced, copied, or exhibited, in whole or part, without first obtaining written consent from the Blair Companies.

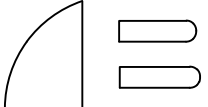
WARNING: DIGIT MOUNTING SCREWS SHOULD BE HAND TIGHTENED. OVER TIGHTENING DIGIT MOUNTING SCREWS COULD RESULT IN DAMAGE VOIDING WARRANTY.

WARNING: ENLARGING MOUNTING HOLES OR MODIFYING THE DIGITS IN ANY WAY COULD RESULT IN DAMAGE VOIDING WARRANTY.



RECOMMENDED SPACING FOR 12" EPCU 3.0 DIGITS WITH 9/10  
FOR OPTIMUM VIEWING INCREASE CONTRAST BORDER FROM 1" TO 2" AROUND EDGES OF DIGITS

PART#:  
LED00572

				CUT DISK: <b>No</b>	PRE-CUT RWY: <b>No</b>	TITLE: <b>12" EPCU 3.0 Mounting Template</b>		SIZE: <b>B</b>	CHG.: <b>N/C</b>	 <b>BLAIR COMPANIES</b> ARCHITECTURAL IMAGING SIGNS • FIXTURES • LIGHTING	5107 KISSELL AVENUE ALTOONA, PA 16601 (814) 949-8287 FAX (814) 949-8293 E-MAIL: cad@blaircompanies.com
				PATTERN #: <b>N/A</b>	LOCATION:	M NUMBER:		DWG. NO.			
				DRAWN BY: <b>JWF</b>	APPROVED:						
CHG.	DATE	DWN.	CH'KD.	DESCRIPTION	ART FILES:	SCALE: <b>N/A</b>					
				REVISIONS	SHEET: <b>1 OF 1</b>	DATE: <b>2/5/2016</b>					